

TY91 / TY92 Minor Change for CS-23 Aircraft

10 September 2015

Document Control

Title:	TY91 / TY92 Minor Change for CS-23 Aircraft
Identifier:	SUP/TY92/004
Issue:	Issue 1.0
Issue Date:	10 September 2015
Author:	Lindsey Christie
Authority:	Andy Davis
CCB Category:	2
File Name:	SUP TY91 004 Issue 1.0
Printed on:	10/09/2015 09:44:00

CONTENTS

1. PREFACE	4
1.1 PURPOSE.....	4
1.2 SCOPE.....	4
1.3 CHANGES FROM PREVIOUS ISSUE.....	5
1.4 CHANGES FORECAST.....	5
1.5 DOCUMENT CROSS-REFERENCES.....	5
1.5.1 Internal Documents.....	5
1.5.2 External Documents.....	5
1.5.3 Approval Traceability.....	5
1.6 ABBREVIATION AND ACRONYMS.....	5
2. INTRODUCTION	6
3. CHANGE DETAILS	7
3.1 DESCRIPTION OF CHANGE.....	7
3.1.1 Stand alone VHF system.....	7
3.1.2 Dual VHF system.....	7
3.2 MECHANICAL DETAILS.....	7
3.3 CONTINUED AIRWORTHINESS INSTRUCTIONS.....	7
3.4 INSTALLED EQUIPMENT SUITABILITY.....	8
3.4.1 ETSO.....	8
3.4.2 Environmental.....	8
3.5 DRAWINGS.....	10
3.5.1 Front Panel Cut-out.....	10
3.5.2 Mounting tray fixing and overall dimensions.....	11
3.6 ELECTRICAL LOAD ANALYSIS.....	11
3.7 TESTING DETAILS.....	11
3.8 FLIGHT MANUAL/POH AMENDMENTS.....	12
3.9 RADIO STATION LICENCE.....	12
4. PREPARATION	13
4.1 EQUIPMENT AND TOOLS REQUIRED.....	13
4.2 AIRCRAFT VOLTAGE.....	13
4.3 TC90 LOCATION.....	13
4.3.1 Accessibility.....	13
4.3.2 TC90 Display Visibility.....	13
4.3.3 Panel Location.....	13
4.4 TY91/92 POSITION.....	13

4.5	HEADSET CONNECTIONS	14
4.6	PUSH TO TALK (PTT) SWITCHES	14
4.7	PRE-TEST EXISTING INSTALLATION	14
4.8	PROTECTIVE DEVICES	15
4.9	WIRING	15
4.9.1	Power and Ground	15
4.9.2	Audio Wiring.....	16
4.9.3	Wire Routing.....	16
4.9.4	Inspect the General Wiring.....	16
4.10	VHF ANTENNA	16
5.	ACCOMPLISHMENT INSTRUCTIONS	18
5.1	TY91/92 INSTALLATION.....	18
5.1.1	Remove Existing Radio	18
5.1.2	Installing TY91/92 Radio	18
5.1.3	Installing the TC90 controller	18
5.1.4	Wiring Loom.....	18
5.1.5	Com1/Com2 Switching	18
5.2	WIRING DIAGRAMS	19
5.2.1	Wiring Identification.....	19
	Figure 2 - Dual VHF system using an Audio Panel	21
	Figure 3 - Dual VHF system using a standalone Intercom panel	22
5.3	ANTENNA CONNECTION	22
5.4	POST INSTALLATION CHECKS.....	23
5.4.1	Continuity Check	23
5.4.2	Electrical Bonding Checks.....	23
5.4.3	Secure Looms.....	23
5.4.4	Initial Power On	23
5.4.5	Isolation check.....	23
5.4.6	Setup	23
5.5	TEST.....	23
5.5.1	Equipment Function.....	23
5.5.2	Interference Effects.....	23
5.5.3	Ground Test	24
5.5.4	Flight Functional Test	24
6.	COMPLIANCE STATEMENT	25
7.	CS-ACNS COMPLIANCE TABLE.....	28
8.	APPENDIX 1	1

THIS DOCUMENT IS CONFIDENTIAL AND CONTAINS COMMERCIALY SENSITIVE INFORMATION TO TRIG AVIONICS LTD AND PARTNER COMPANIES. THE CONTENTS OF THIS DOCUMENT ARE TO BE KEPT CONFIDENTIAL AND ARE NOT TO BE DISCLOSED TO THIRD PARTIES WITHOUT THE PRIOR WRITTEN CONSENT OF TRIG AVIONICS LTD.

1. Preface

1.1 Purpose

To document the Minor Change to replace a transceiver with a Trig Avionics TY91/TY92 transceiver.

1.2 Scope

This Minor Change applies to unpressurised single engine piston aeroplane.

The applicable aircraft are:

Cessna Aircraft Company	172	TCDS US 3A12
Cessna	172A	TCDS US 3A12
Cessna	172B	TCDS US 3A12
Cessna	172C	TCDS US 3A12
Cessna	172D	TCDS US 3A12
Cessna	172E	TCDS US 3A12
Cessna	172F	TCDS US 3A12
Cessna	172G	TCDS US 3A12
Cessna	172H	TCDS US 3A12
Cessna	172I	TCDS US 3A12
Cessna	172K	TCDS US 3A12
Cessna	172L	TCDS US 3A12
Cessna	172M	TCDS US 3A12
Cessna	172N	TCDS US 3A12
Cessna	172P	TCDS US 3A12
Cessna	172Q	TCDS US 3A12
Cessna	172R	TCDS EASA.IM.A.051
Cessna	172S	TCDS EASA.IM.A.051
Cessna	172RG	TCDS US 3A17
Cessna	175	TCDS US 3A17
Cessna	175A	TCDS US 3A17
Cessna	175B	TCDS US 3A17
Cessna	175C	TCDS US 3A17
Cessna	P172D	TCDS US 3A17
Cessna	R172E	TCDS US 3A17
Cessna	R172F	TCDS US 3A17
Cessna	R172G	TCDS US 3A17
Cessna	R172H	TCDS US 3A17
Cessna	R172J	TCDS US 3A17

Cessna

R172K

TCDS US 3A17

1.3 Changes from Previous Issue

None

1.4 Changes Forecast

None.

1.5 Document Cross-References

1.5.1 Internal Documents

00839-00	TY91/TY92 Installation Manual	Issue AE
00840-00	TY91/TY92 Operating Manual	Issue AC
DEV/TY92/006	TY92 Declaration of Design Performance	Issue 3.0
DEV/TC90/008	TC90 Declaration of Design Performance	Issue 2.0

1.5.2 External Documents

CS-23 (Amdt 3)	Certification Specifications for Normal, Utility, Aerobatic, and Commuter Category Aeroplanes	EASA
CAP747	Mandatory Requirements for Airworthiness	CAA
ED-23C	MOPS for airborne VHF Receiver - Transmitter	Eurocae
DO160F	Environmental Conditions and Test Procedures for Airborne Equipment	RTCA

1.5.3 Approval Traceability

Not applicable

1.6 Abbreviation and Acronyms

The following abbreviations and acronyms are used in this document:

AFM	Aircraft Flight Manual
DC	Direct Current
DDP	Declaration of Design Performance
EASA	European Aviation Safety Agency
ETSO	European Technical Standards Order
MOPS	Minimum Operational Performance Standard
POH	Pilots Operating Handbook
PTT	Push To Talk
VHF	Very High Frequency

2. Introduction

The TY91/TY92 VHF radio system is an ED-23C compliant class C (25 kHz offset carrier) and class E (8.33 kHz single carrier) VHF radio. The TY91 has a nominal power output of 6 watts, and meets the power output requirements for Class 4 and Class 6. The TY92 has a nominal power output of 16 watts, and meet the power output requirements for Class 3 and Class 5. The TY91/TY92 is certified to ETSO 2C169a, and TSO C169a.

The TY91 and TY92 VHF radios are controlled using a separate front panel controller, called the TC90. This allows the radio to be mounted separately from the instrument panel, and reduces the amount of panel space taken by the VHF radio. The TC90 is certified to ETSO 2C169a, and TSO C169a.

The TY91 runs from either 14 volt nominal or 28 volt nominal DC power supply with no configuration changes required. The TY92 requires 28 volt nominal supply.

This minor change describes the process of installing a TY91 or TY92. The TY91 or TY92 can be installed as a standalone VHF communication system or as part of a dual VHF communications system.

3. Change Details

3.1 Description of Change

The TY91 or TY92 VHF radio can be fitted as a standalone system or as part of a dual communication system. This Minor Change allows the replacement of an existing VHF radio, using the existing VHF antenna. For installations which require a replacement antenna to be fitted, further EASA approval must be achieved.

3.1.1 Stand alone VHF system

This change involves removing any existing VHF radio and replacing it with a Trig Avionics TY91 or TY92 VHF transceiver.

The processes involved in the change includes pre-testing of the installation; verification of the suitability of the existing power supply wiring; installing the TC90 controller and the TY91/TY92 transceiver; transceiver commissioning; and post-installation testing. These processes are described in detail in the accomplishment instructions in this document.

The existing transceiver mounting tray will need to be removed and a new panel installed to mount the controller or install a blanking panel if a conventional 57mm instrument cut-out will be used. The connectors will need to be replaced. The existing antenna and circuit breaker will be re-used.

If there is no existing VHF transceiver then the processes involved in installing a TY91/92 will include making a new wiring loom, installing headphone and microphone jacks, fitting the TC90 controller to the aircraft panel, installing a new antenna and selecting and fitting an appropriate circuit protective device.

3.1.2 Dual VHF system

This change involves installing the TY91 or TY92 VHF radio as part of a dual VHF transceiver system. The operator will require a method of switching between COM 1 and COM 2 to allow a transmission on either radio. This is most commonly achieved by using an audio panel but some installations may have to install additional switches in the cockpit. A new antenna may also need to be installed.

If the dual system relies on an intercom which is integrated into one of the radios, the microphone switching becomes complicated and further system design will be required. As such, these instructions do not cover this type of installation.

These instructions will only cover dual installations that have either an audio panel or standalone intercom system already installed.

The position of the TC90 must still be located in the aircraft panel where it can be easily read and controlled when the aircraft is being flown by a single person.

3.2 Mechanical Details

The TY91/TY92 uses a TC90 head unit to control the transceiver, it has a combination of knobs and press buttons to change frequencies and control the functions of the unit. The active and standby frequencies are displayed on the screen and icons are displayed on the left hand side to indicate when the radio is transmitting or receiving. The panel location should allow the screen to be visible to the pilot and have easy access to the knobs and buttons.

The TY91/TY92 is compatible with any TSO approved VHF antenna.

The TY91/TY92 combined with the TC90 has a total weight of 440 grams. The effect on weight and balance of the aircraft will be small due to the low weight of the transceiver equipment. After the installation a weight and balance check should be calculated or performed in accordance with the manufactures instructions.

3.3 Continued Airworthiness Instructions

Other than for periodic functional checks required by the regulations, the TY91/TY92 VHF transceiver

has been designed and manufactured to allow “on condition maintenance”. This means that there are no periodic service requirements necessary to maintain continued airworthiness, and no maintenance is required until the equipment does not properly perform its intended function. When service is required, a complete performance test as detailed in section 5.4 of these instructions should be accomplished following any maintenance action.

3.4 Installed Equipment Suitability

3.4.1 ETSO

The TY91 is certified to ETSO 2C169a and ETSO 2C128

The TY92 is certified to ETSO 2C169a and ETSO 2C128

The TC90 is certified to ETSO 2C169a

3.4.2 Environmental

The environmental testing conducted for the TY91/TY92 and TC90 is appropriate for this installation.

Key aspects of the TY91 and TY92 environmental qualification are summarised here:

DO-160F reference	Qualification	Applicability
Temperature & Altitude	Category A2 and C1	Equipment intended for installation in a partially controlled temperature but pressurised location and installed in a non-pressurised but controlled temperature location.
Loss of Cooling	+70C without cooling air	Forced air cooling not required.
Temperature Variation	Category B	For a non temperature controlled or partially temperature controlled internal section of the aircraft.
Humidity	Category A	Standard humidity environment.
Operational Shock & Crash Safety	Category B type 5	Equipment generally installed in fixed-wing aircraft or helicopters, VLA's and sailplanes tested for standard operational shock and crash safety.
Vibration	Aircraft zone 2; type 3, 4, 5 to category S level M, type 1 (Helicopters) to category U level G	Single engine fixed wing reciprocating or turboprop. Multi engine less than 5700Kg. Helicopters, reciprocating and turbojet engines. Equipment fitted to instrument panel, console or equipment rack.
Magnetic Effect	Category Z	Equipment and or its connecting cable harness may be mounted within 0.3m of magnetic compass. All verified during ETSO environmental qualification testing.
Power Input	Category BX	DC equipment intended for use on aircraft electrical system supplied by engine driven alternator or generator, where a battery of significant capacity is on the DC bus at all times.
Voltage Spike	Category B	Installation where a lower standard of protection is acceptable.
Audio Susceptibility	Category B	DC equipment intended for use on aircraft electrical system supplied by engine drive alternator or generator, where a battery of significant capacity is on the DC bus at all times.
Induced Signal Susceptibility	Category AC	Equipment intended for operation where interference-free operation is desirable and installed on aircraft

		whose primary power is constant frequency or DC.
RF Susceptibility	Category TT	Specified in the HIRF rules; representative of the internal EMI environment from aircraft equipment.
RF Emission	Category B	Basic emission control.

Key aspects of the TC90 environmental qualification are summarised here:

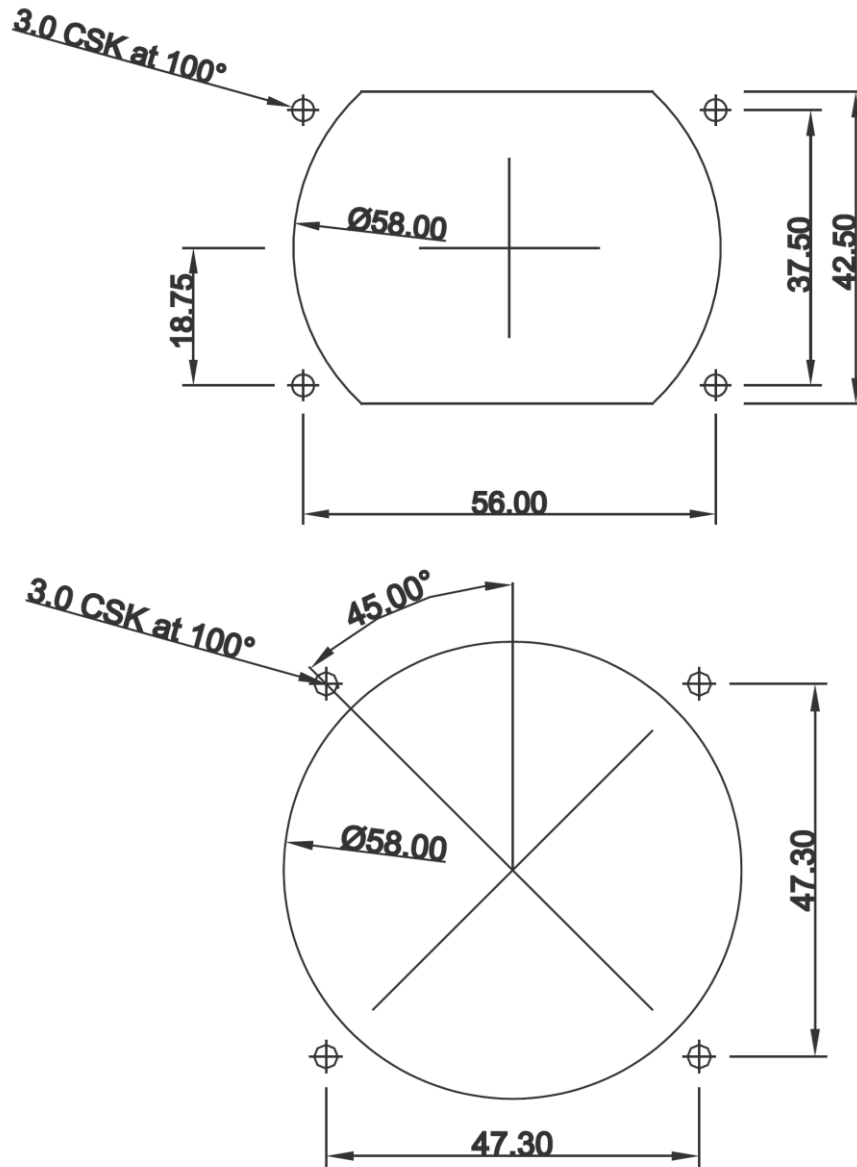
DO-160F reference	Qualification	Applicability
Temperature & Altitude	Category A4 and C4	Equipment intended for installation in a controlled temperature and pressurized location. Equipment intended for installation in non-pressurised and non- controlled temperature location.
Loss of Cooling	+70C without cooling air	Forced air cooling not required.
Temperature Variation	Category A	Equipment external to the aircraft or internal to the aircraft.
Humidity	Category A	Standard humidity environment.
Operational Shock & Crash Safety	Category B type 5	Equipment generally installed in fixed-wing aircraft or helicopters, tested for standard operational shock and crash safety.
Vibration	Aircraft zone 2; type 3, 4, 5 to category S level M, type 1 (Helicopters) to category U level G	Single engine fixed wing reciprocating or turboprop. Multi engine less than 5700Kg. Helicopters, reciprocating and turbojet engines. Equipment fitted to instrument panel, console or equipment rack.
Magnetic Effect	Category Z	Equipment and or its connecting cable harness may be mounted within 0.3m of magnetic compass. All verified during ETSO environmental qualification testing.
Power Input	Category X	Equipment identified as Category X – no test required
Voltage Spike	Category X	Equipment identified as Category X – no test required
Audio Susceptibility	Category X	Equipment identified as Category X – no test required
Induced Signal Susceptibility	Category BC	Equipment intended for operation in systems where interference would be controlled to a tolerable level and is installed on aircraft whose primary power is constant frequency or DC.
RF Susceptibility	Category TT	Specified in the HIRF rules; representative of the internal EMI environment from aircraft equipment.
RF Emission	Category M	Equipment and interconnected wiring located in areas where apertures are electro-magnetically significant and not directly in view of radio receivers antenna.

In each case the environmental qualification is appropriate to the installation in the instrument panel of a light piston engine aircraft with a DC electrical system.

3.5 Drawings

3.5.1 Front Panel Cut-out

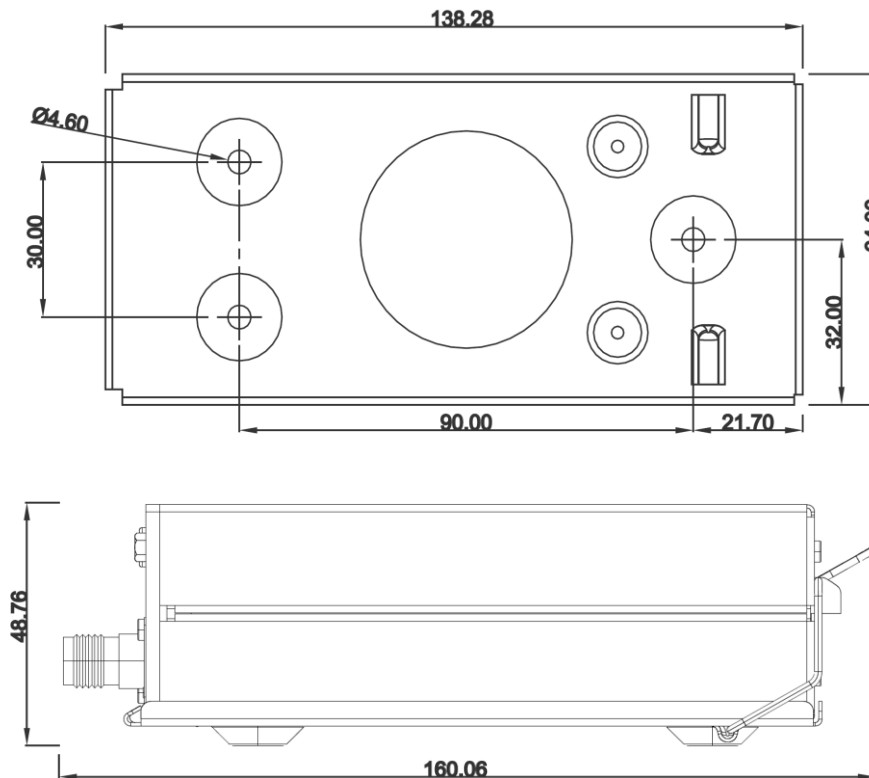
The front panel controller can be fitted to either the compact mounting hole or a conventional 57mm (2¼ inch) instrument cut-out. The compact mounting is a truncated 58 mm opening; please note that the mounting screws are NOT in the same location for the two options.



All dimensions in millimetres. The drawing is not to scale.

(Drawing A)

3.5.2 Mounting tray fixing and overall dimensions



All dimensions in millimetres. The drawing is not to scale

(Drawing B)

3.6 Electrical Load Analysis

Existing VHF transceivers draw typically 0.27 Amp up to 1.0 Amp when receiving and 2 Amp up to 6 Amp when transmitting. These figures are based on a 14v DC supply.

The TY91 draws typically 0.2 Amp from a 14v DC power supply in receive, with currents of around 2 Amp when transmitting. On 28V supplies the currents are lower.

The TY92 can only be powered from a 22 to 33v DC power supply and draws typically 0.13 Amp in receive with currents of around 2.5 Amp when transmitting.

Since the current taken by the TY91/TY92 is of similar or less than the transceiver it is replacing, any systems that were properly sized to support an existing transceiver will be adequate to support the TY91/TY92.

On new TY91/92 installations, the wiring and circuit breaker rating to be used are specified in the accomplishment instructions.

On the same basis, it can be concluded that the 30 minute battery requirement of CAP747 GR6 will also be satisfied.

On a dual radio installation the circuit breakers and electrical supply will be separate so that a failure in one radio system will not result in both radio's failing as per CAP747 GR18.

3.7 Testing Details

The test procedure is based on the installation test guidelines in ED-23C, the MOPS for airborne VHF transceivers.

3.8 *Flight manual/POH Amendments*

No AFM amendments are required as part of this Minor Change. A pilot operating booklet is provided (reference 00840-00) with the TY91/TY92 and this should be made available to the flight crew.

3.9 *Radio Station Licence*

Installation of this transceiver may require a new or updated aircraft radio licence. For UK registered aircraft the change needs to be reported to the Directorate of Airspace Policy on a Form DAP1902. For other European registered aircraft the relevant national authority should be contacted.

4. Preparation

4.1 Equipment and tools required

You will need an aviation headset, aircraft aluminium, the TY91/TY92 install kit and standard avionics workshop tooling.

4.2 Aircraft Voltage

Ensure the aircraft voltage is correct for the desired radio.

For TY91 radio's the aircraft voltage must be 11 – 33 volts.

For TY92 radio's the aircraft voltage must be 22 – 33 volts.

4.3 TC90 Location

4.3.1 Accessibility

Ensure the TC90 controller is installed so that the control knobs and buttons are readily accessible from the pilot's normal seated position. The operator should have a clear unobstructed view of the display.

4.3.2 TC90 Display Visibility

The TC90 LCD has a reflective back and a constant backlight to allow it to be easily read in direct sunlight and low lighting conditions. The TC90 is recommended to be within a viewing angle of 40 degrees in the vertical plane and 50 degrees in the horizontal plane to ensure the full display can be seen.

4.3.3 Panel Location

Choose a suitable location for the TC90 controller that meets the following criteria:

- The TC90 must be located in a position where it can be operated when the aircraft is being flown by a single person.
- If any of the existing displays need to be re-positioned to accommodate the additional TC90, you must ensure that the new positions of these do not contravene CS.23-1321 (arrangement and visibility)



Example location – Left of central column



Example Location – Central column

4.4 TY91/92 Position

The TY91/92 remote unit can be installed in any orientation as long as it is secured with the dedicated mounting tray (part number 00667-00). The mounting tray must be secured to a solid piece of structure in a suitable location that meets the following criteria:

- Does not interfere with any primary flying controls.
- Will not be subject to any damage or displacement due to person entering/exiting the aircraft.
- Will not be subject to any damage or displacement due to other equipment or items stored in close proximity.
- Allows a suitable routing for any interconnecting wiring.
- Will not be subject to adverse weather conditions such as rain, snow or ice.

Depending on the aircraft and existing avionics, ideal locations include behind the instrument panel, inside the avionics bay, the underside of the flight manual storage box or inside the glove box.

4.5 Headset Connections

If you are utilising existing headset connections you should check the serviceability as per section 4.7.

If you are installing a new headset connection then you should choose a suitable location that allows a headset to be connected easily without the need to extend the headset cables. Traditionally this will be at the bottom of the aircraft panel adjacent to the appropriate seating position.



Typical headset jack position

4.6 Push to Talk (PTT) Switches

If you are using the existing PTT switches then you should check the serviceability as per section 4.7.

A new PTT installation should use a momentary push switch mounted on the aircraft yoke.

4.7 Pre-test Existing Installation

If the TY91/TY92 installation is going to utilise any existing aircraft components such as wiring, coax or antenna then these should be checked for serviceability before proceeding with the installation. Pay particular attention to the following:

- Wiring – Ensure that screened cable has been used where appropriate. Using unshielded wiring may lead to unwanted interference from other equipment such as the transponder, strobe lights or ignition system.
- Antenna and coax cable – Ensure the antenna, antenna cable and connectors are in good condition and of a suitable type. RG400 is recommended as a minimum for the antenna coax cable and the antenna VSWR should not exceed 3:1. Having an antenna system with a VSWR greater than 3:1 will cause a large drop in output power and severely minimise the range of the radio transmissions.
- PTT switches – Ensure the existing PTT switches are in good condition and operating correctly.
- Headset connections – Ensure the existing headphone and microphone jacks are in good condition and working correctly.

If there is a problem with the existing installation, changing the radio will not cure this problem and will simply transfer to your new TY921/TY92 installation. It is a good idea to check at this stage and update any wiring to save time and frustration later.

4.8 Protective devices

On a single TY91/92 radio installation the live power supply must be protected by a 5 amp circuit breaker. If you are utilising an existing circuit breaker please ensure that the system meets CS 23.1357 (c) as below;

Each resettable circuit protective device ("trip free" device in which the tripping mechanism cannot be over-ridden by the operating control) must be designed so that –

- (1) A manual operation is required to restore service after tripping; and*
- (2) If an overload or circuit fault exists, the device will open the circuit regardless of the position of the operating control*

For dual radio installations the live power supply to each radio must be protected by separate circuit breakers so that a failure in one radio does not affect the performance of the other radio. This is required as part of CAP 747 GR18.



5 Amp Circuit breaker

4.9 Wiring

All wires used must meet the requirements of CS-23.1359 (c), such as aviation grade Tefzel hook-up wire. For more information please see Section 5.10 of the TY91/92 Installation Manual. If utilizing existing wiring you must inspect as compliant.

4.9.1 Power and Ground

If you are replacing a radio system with the TY91/TY92 and utilising the same power and ground, check the following:

- Verify that the circuit breaker is in satisfactory condition and is rated at 5 Amps.

Note: The circuit breaker rating is determined by the type of wiring used. A higher rated circuit breaker can be used as long as the wire size can handle the current. The circuit breaker must not be less than 5 amps to avoid nuisance tripping. For more information you can refer to FAA AC 43.13-1B [chapter 11]

- Ensure the existing live wiring is in good condition and sized correctly. For a 5 Amp circuit breaker, the power and ground wires are recommended to be a minimum of 20 AWG.
- Ensure the ground wire is actually connected to ground. It sounds obvious but some installations can rely on the aircraft chassis or mounting trays for a connection to ground, if any of this is disturbed during the installation the ground connection may be broken. You

should physically trace the wire to check if it is connected to ground or use a multimeter to perform a connection test.

If the TY91/TY92 is a new installation then you should check there is space in the panel to fit the addition 5 Amp circuit breaker required. All power and ground wires should be of the size and type detailed in the wiring diagrams.

4.9.2 Audio Wiring

Audio wiring is often overlooked and a bad installation can cause constant interference and clicks from other aircraft systems which can cause pilot fatigue. Planning good cable routes and using the correct type of wiring will give a quiet and comfortable radio system.

Every un-shielded wire can act as a small antenna and pick up any stray RF transmissions, routing that RF into your audio system giving the potential for unwanted interference.

Good audio wiring practices to prevent interference:

- Use shielded wire on quiet audio lines. There is no limit to the amount of shielded wire you can use but it is expensive and it is not necessary on all wiring. Quiet audio lines such as the microphone inputs must be shielded.
- Route wiring looms away from high noise environments. Whilst this is not always practical on smaller aircraft, keeping the audio wiring away from ignition wires, engines and transmitting antennas will help reduce the amount of RF exposure.

4.9.3 Wire Routing

Care must be taken to ensure surface damage does not occur to the wires during installation and that all wire looms are appropriately secured to prevent damage during its installed life. Ensure the loom does not chafe on any parts of the aircraft or interfere with any moving parts especially if you are using thin walled insulated wire to save on weight, such as MIL-22759/16, 17, 18 or 19.

4.9.4 Inspect the General Wiring

Inspect any existing wiring for the general condition and gauge. The power wires should be AWG 20 or heavier; the other signal wires carry only light currents and may be any gauge appropriate to the mechanical environment.

4.10 VHF Antenna

If you are utilising an existing antenna:

- Trace and identify the existing VHF antenna.
- Check the condition of the antenna, including the attachment to the airframe. It is important that the ground plane of the antenna is correctly bonded to the aircraft skin. The antenna should be in a vertical orientation, as clear as possible from other antennae and from airframe obstacles and protrusions, such as landing gear.
- The antenna VSWR should be $< 2:1$ and should not be greater than $3:1$ to avoid a degraded output power performance; an inline wattmeter can be used to measure the VSWR. If the VSWR is suspect at this stage the antenna and/or the coax cabling should be checked.

Installing a new antenna is out with the scope of this Minor Change. If you require a new antenna further EASA approval is required.

The following information should be considered when installing a new antenna;

- Ensure the antenna is a 50 Ohm, vertically polarised VHF antenna
- A Com 1 antenna should be mounted on the top of the aircraft
- A Com 2 antenna can be mounted on the top or the bottom of the aircraft. Mounting on the top of the airframe is preferable and should be about 1 metre from the COM 1 antenna to

avoid interference. If mounting on the bottom of the aircraft then a bent whip antenna may be suitable to provide sufficient ground clearance, although signal obstruction from the landing gear or flaps should be taken into account when choosing the antenna location.

- Ensure the antenna position is not within:
 - 0.6 metres from a GPS antenna
 - 1.0 metre from other VHF antenna's
 - As far as practicable from ELT antenna's which could cause interference on certain frequencies
- Try to avoid locating the antenna anywhere near the engine exhaust or ignition system to reduce any interference effects.

5. Accomplishment Instructions

5.1 TY91/92 Installation

5.1.1 Remove Existing Radio

If you are replacing an existing VHF radio then this should be removed. Identify any existing wiring that is going to be reused and check for suitability as previously described. Replace any suspect, damaged or unsuitable wiring.

If the TC90 is **not** going to be used in the same location as the original VHF radio then manufacture a suitable panel from aircraft aluminum to blank the existing VHF transceiver hole.

5.1.2 Installing TY91/92 Radio

Once a suitable radio location has been decided as per section 4.4, secure the mounting tray using suitable screws. Care should be taken to ensure the head of the screw does not sit up and prevent the TY91/92 radio from sitting flush in the mounting tray. You should use an appropriate locking nut or similar to ensure the mounting tray does not come loose during normal aircraft vibrations.

Install the TY91/92 in accordance with the installation manual.

5.1.3 Installing the TC90 controller

Mount the TC90 in a position that the pilot is able to see the screen and operate the unit. The TC90 can be mounted in the ultra compact mounting hole or in a conventional 57mm (2 ¼ inch) instrument cut out; refer to drawing A, in section 3.5.

Install the TC90 in accordance with the installation manual.

5.1.4 Wiring Loom

Manufacture the connectors and wiring looms in accordance with the appropriate wiring diagrams in section 5.2.

The power wires should be 20 AWG or heavier; the other signal wires carry only light currents and it is therefore acceptable to use 22 or 24AWG. Where lighter wires than 20 AWG are used the individual wires should be laced together for support.

Shielded wires should be used where indicated in the wiring diagrams as a minimum. Additional shielded wiring can be used if deemed appropriate the particular installation.

Aircraft standard wire should be used for the installation. For example, wire that meets MIL-W-22759/1 to 23, 32 to 35 specifications would be acceptable for this installation. Common wire types include MIL-W-22759/34 or Raychem 55 wire. Shielded wires should be to MIL-W-27500.

5.1.5 Com1/Com2 Switching

If an additional switch is to be installed in the aircraft panel to swap between Com 1 and Com 2 then it should be connected as per the relevant wiring diagram. Ensure the location is easily accessible to the radio operator and the switch positions clearly labelled to indicate which Com is active.

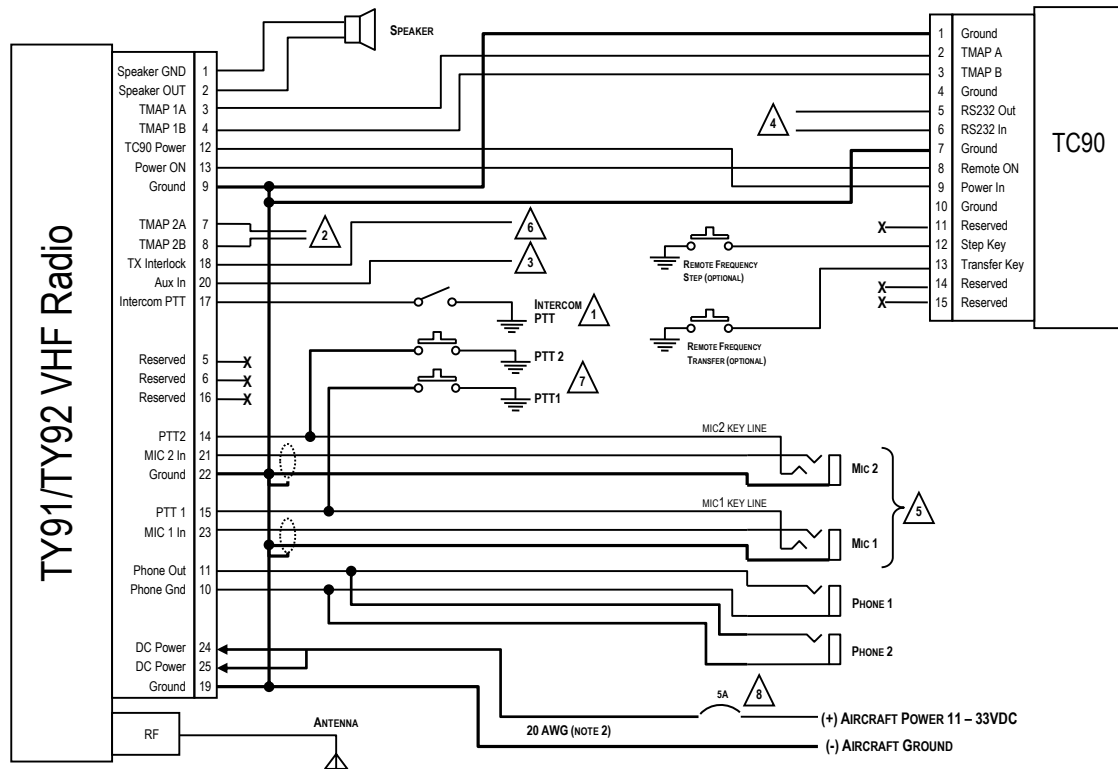
5.2 Wiring Diagrams

Figure 1 - Typical TY91/92 System Interconnect	20
Figure 2 - Dual VHF system using an Audio Panel	21
Figure 3 - Dual VHF system using a standalone Intercom panel	22

5.2.1 Wiring Identification

All wires and connectors should be suitably identified individually. Any existing wiring being used in this installation should be identified where the new connection is being made. New wiring should be individually identified from plug to plug.

Figure 1 - Typical TY91/92 System Interconnect

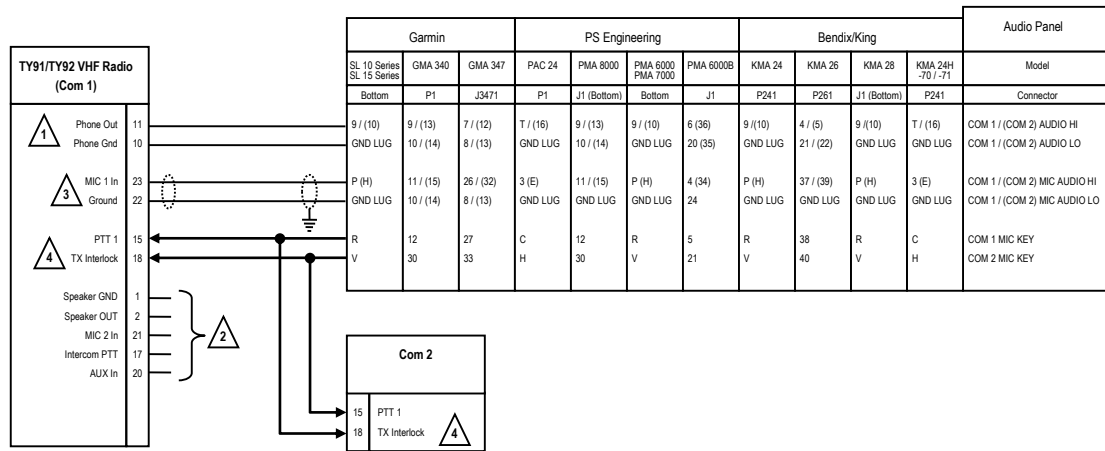


NOTES:

- 1 ALL WIRES SHOULD BE 18 – 24 AWG
- 2 DC POWER WIRES SHOULD BE A MINIMUM OF 20 AWG
- 3 GROUND WIRES CAN BE LOOPED TOGETHER OUTSIDE THE CONNECTOR. MORE THAN 1 GROUND SHOULD BE PHYSICALLY CONNECTED TO THE TY91/TY92.

- 1 TO PERMANENTLY ENABLE THE INTERCOM THIS SHOULD BE CONNECTED DIRECTLY TO GROUND.
- 2 TMAP LINES 2A AND 2B CONTAIN IDENTICAL DATA AS TMAP 1A AND 1B. WIRED TOGETHER INTERNALLY
- 3 AUXILIARY AUDIO INPUT ROUTED TO THE SPEAKER AND HEADPHONE OUTPUTS
- 4 (OPTIONAL) RS232 INPUT FROM GPS TO PRELOAD STANDBY/ACTIVE FREQUENCIES
- 5 MIC CABLES TO BE WIRED USING A TWISTED SCREENED PAIR WITH THE SCREENING CONNECTED TO GROUND AT THE RADIO END ONLY.
- 6 TX INTERLOCK TO BE CONNECTED WHEN INSTALLING A DUAL VHF RADIO SYSTEM.
- 7 IF BOTH PTT1 AND PTT2 ARE PRESSED SIMULTANEOUSLY THEN PTT 1 WILL TAKE PRIORITY AND THEREFORE MIC 1 AUDIO WILL BE ROUTED TO THE RADIO.
- 8 THE CIRCUIT BREAKER MUST BE DEDICATED TO PROTECT A SINGLE RADIO. YOU MUST ENSURE THAT FAILURE OF ONE RADIO DOES NOT AFFECT THE PERFORMANCE OF THE OTHER RADIO IN DUAL RADIO INSTALLATIONS.

Figure 2 - Dual VHF system using an Audio Panel



NOTES:

1 ALL WIRES SHOULD BE 18 – 24 AWG

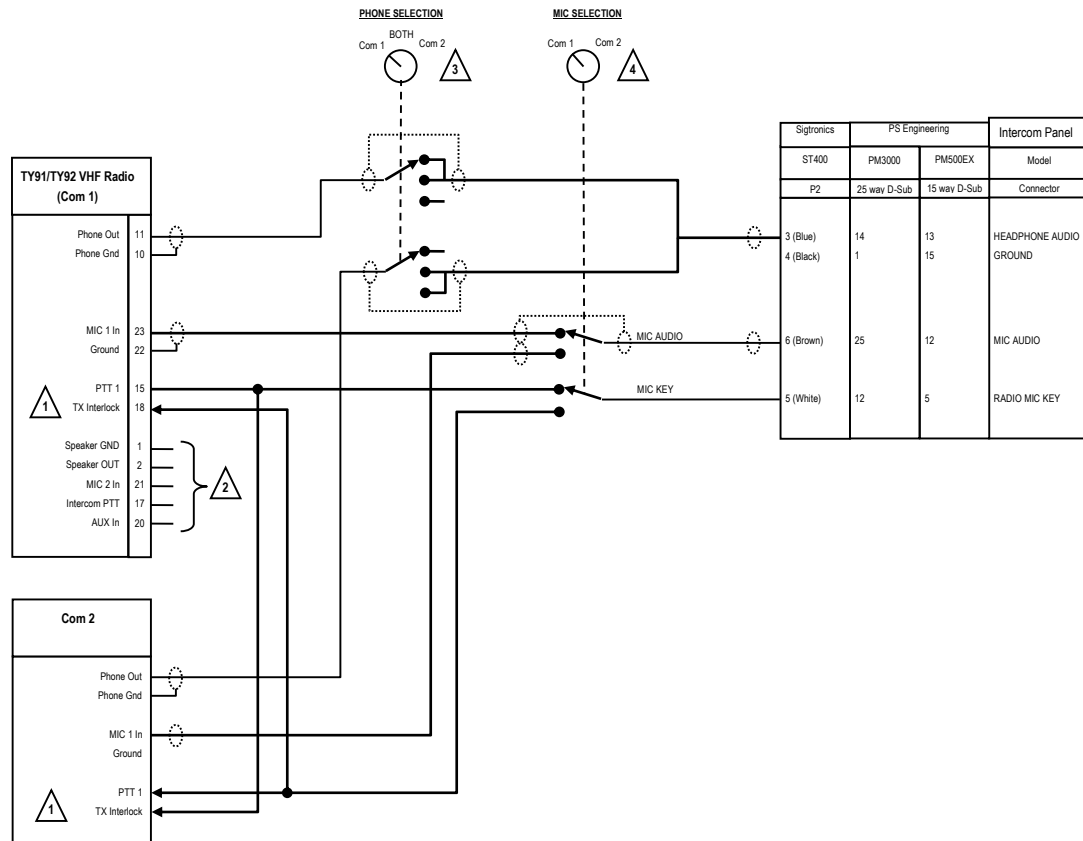
1 THE 500 OHM AUDIO OUTPUTS ARE BALANCED AND THE PHONE GND MUST BE CONNECTED. IF THE AUDIO PANEL DOES NOT HAVE AN AUDIO LO IT SHOULD BE CONNECTED TO A GROUND LUG AT THE AUDIO PANEL.

2 THESE INPUTS/OUTPUTS ARE DESIGNED FOR A STANDALONE SYSTEM AND SHOULD NOT BE CONNECTED WHEN INTEGRATING THE RADIO WITH AN AUDIO PANEL. MOST AUDIO PANELS WILL HAVE DEDICATED CONNECTIONS FOR THESE FEATURES WHICH SHOULD BE USED INSTEAD.

3 SCREENED CABLE TO MIL 22750 OR 27500 AND THE SCREEN SHOULD ONLY BE EARTHED AT THE AUDIO PANEL END.

4 FOR A DUAL RADIO INSTALLATION CONNECT THE TRANSMIT INTERLOCK TO THE MIC KEY / PTT OF THE OTHER VHF TRANSCEIVER TO MINIMIZE SQUELCH BREAKS ON THE COM.

Figure 3 - Dual VHF system using a standalone Intercom panel



1. ALL WIRES SHOULD BE 18 – 24 AWG
2. SCREENED WIRES SHOULD BE TO MIL 22750 OR 27500

1. CONNECTING THE TRANSMIT INTERLOCK TO THE MIC KEY / PTT OF THE OTHER VHF TRANSCEIVER MINIMIZES SQUELCH BREAKS ON THE COM.
2. THESE INPUTS/OUTPUTS ARE DESIGNED FOR A STANDALONE SYSTEM AND ARE OPTIONAL WHEN INTEGRATING THE RADIO WITH AN INTERCOM PANEL. SOME INTERCOM SYSTEMS WILL HAVE DEDICATED CONNECTIONS FOR THESE FEATURES WHICH CAN BE USED INSTEAD.
3. A TRIPLE POLE- DOUBLE THROW SWITCH MUST BE USED TO ALLOW THE RADIO AUDIO TO BE ROUTED FROM ONE OR BOTH OF THE RADIO'S. A ROTARY SWITCH IS SHOWN HERE BUT A TOGGLE SWITCH COULD ALSO BE USED.
4. A DOUBLE POLE – DOUBLE THROW SWITCH MUST BE USED TO CHANGE THE MIC AND PTT LINE SIMULTANEOUSLY. A ROTARY SWITCH IS SHOWN HERE BUT A TOGGLE SWITCH COULD ALSO BE USED.

NOTE: When installing the TY91/92 as part of a dual radio installation then you should check the following system design criteria is considered.

- *COM 1/COM 2 microphone and PTT switching – The radio system must include an ability to switch between the 2 radios. The switches must be labelled in the cockpit to clearly indicate which radio is active.*
- *Radio audio switching – The radio system must have a way of monitoring both radio's simultaneously. It is advisable to also allow individual switching for both radio's as shown in the wiring diagram above.*

5.3 Antenna Connection

Ensure an existing VHF antenna or new antenna installation has been checked as per section 4.10.

Install the antenna cable as per the TY91/92 installation manual.

5.4 Post Installation Checks

5.4.1 Continuity Check

Before applying power to the system, perform point to point continuity checks on all the wiring to ensure nothing has been crossed wired. Pay particular attention to the power and ground connections which, if wired incorrectly, may damage the avionics once power is applied.

5.4.2 Electrical Bonding Checks

Ensure the TY91/TY92 remote unit is correctly seated into the mounting tray and that the metal chassis is bonded to ground. Again, this can be achieved with a continuity check between the TY91/Y92 chassis and the aircraft ground point.

5.4.3 Secure Looms

Ensure all the wiring is suitably secured and does not interfere with any flying controls. Make sure the wiring cannot be damaged or chaffed due to aircraft vibrations.

5.4.4 Initial Power On

Apply power. The TC90 should light up. The TC90 and TY91/92 software versions should be displayed briefly followed by the main operating display.

If the fault message "NO RADIO" is displayed, check the wiring again to make sure everything is connected correctly. Pay particular attention to the TMAP lines and ensure they are not cross connected or have bad connections.

5.4.5 Isolation check

Pull the isolating circuit breaker and ensure the TC90 switches off.

Reset the circuit breaker.

5.4.6 Setup

Enter the setup menu by holding down the "MON" button for at least 5 seconds. Setup each parameter to suit the particular installation and operator preference. Refer to the Installation and Operation manuals for further information on each setup parameter.

5.5 Test

5.5.1 Equipment Function

Verify that the proper mechanical and electrical connections have been made. Operate each of the controls and verify that each performs the intended function. Refer to the Installation manual and Operating manual for further descriptions of each function.

5.5.2 Interference Effects

With the transceiver powered on, operate each of the other electrically operated aircraft systems to determine that no significant interference effects are present.

Key the PTT switch to ensure there is still no interference effects on other avionics systems. On a dual radio installation ensure there is no breakthrough between the two VHF systems. If a GPS is installed, ensure the radio does not adversely affect the GPS system when transmitting.

Monitor the radio with the engine running to ensure no interference is heard across the frequency range. The radio squelch may need to be adjusted to eliminate any unwanted noise.

5.5.3 Ground Test

Monitor a local VHF communication frequency and verify a clear audio can be heard.

Perform a radio check with a local ground station and verify the ground station reports a clear reception.

5.5.4 Flight Functional Test

A flight functional test is recommended to check the performance of the TY91/92 radio.

Ensure the TC90 display can be read and easily controlled during flight.

Perform a radio check during flight:

- Maintain a level flight at an appropriate altitude.
- Contact a ground station at a range of least 50 NM and request a radio check.
- Ensure the ground station reports a clear reception.
- Ensure you have a clear reception of the ground station.

6. Compliance Statement

CS 23 Amdt 3 Para	Requirement	Compliance	References
23.1301 (a)	Installed equipment to be of a design appropriate to its intended function.	TY91/TY92 is approved under ETSO 2c169a. A review of certification basis in the DDP was completed and found to be acceptable without further conditions.	TY91 DDP. TY92 DDP. TC90 DDP.
23.1301 (b)	Be labeled as to its identification, function or operating limitations.	All controls are adequately labeled. No limitations are recorded. ETSO compliance is shown on the product identification label.	TY91/TY92 Installation Manual.
23.1301 (c)	Be installed according to specified limitations	Review of environmental testing, deviations and limitations in DDP completed.	TY91 DDP. TY92 DDP. TC90 DDP.
23.1301 (d)	Function properly when installed.	System tested by ground and flight tests on completion	Section 5.5, Test
23.1309 (a)	System must not adversely affect existing systems	On a single radio installation, this does not integrate with any other system. On a dual radio system the TY91/92 will integrate with the audio panel, intercom panel or physical switches to allow selection of each COM. These will be tested post-installation Installation is physically separate from other systems. EMI tests carried out post-installation.	Section 5.2, Wiring Diagram. Section 5.4, Post installation checks
23.1309 (b1)	The system must function correctly under any foreseeable condition	TY91/92 will function correctly under any foreseeable environmental condition. The TY91/92 meets the relevant specifications described in DO160F.	TY91/92 Installation Manual. Section 3.4.2 Environmental
23.1309 (b2)	i) When systems and associated components are considered separately and in relation to other systems, the occurrence of any failure condition that would prevent the continued safe flight or landing of the aeroplane must be extremely improbable. ii) When systems and associated components are considered separately and in relation to other systems, the occurrence of any other failure condition that would	The TY91/92 is designed and tested to withstand extremes of foreseeable environmental conditions, therefore it is highly improbable that the unit will be exposed to conditions beyond the levels tested. On a single radio installation, this does not integrate with any other system. On a dual radio system the TY91/92 will integrate with the audio panel, intercom panel or physical switches to allow selection of each COM. These	Section 5.2, Wiring Diagram. Section 5.4, Post installation checks TY91/92 Installation Manual. Section 3.4.2 Environmental

	significantly reduce the capability of the aeroplane or the ability of the crew to cope with adverse operating conditions must be improbable.	will be tested post-installation Installation is physically separate from other systems. EMI tests carried out post-installation.	
23.1309 (e)	Electrical generation, distribution and utilization equipment required by or used in this installation must provide continuous, safe service under foreseeable environmental conditions.	The TY91/92 does not generate or distribute electricity. It does utilize a power supply. The TY91/92 has been tested against lightning strikes (direct and indirect) and radio frequency energy in accordance with DO160F.	TY91/92 Installation Manual. Section 3.4.2 Environmental
23.1351(a)	Electrical system capacity	Existing 5 amps circuit breaker used supplying a maximum load of 2.5 amps. Wire gauge 20 appropriate. New equipment is typical or less than existing VHF equipment being replaced. Battery endurance is maintained or increased as a result.	Section 3.6, Electrical load analysis TY91/TY92 Installation Manual.
23.1357	Circuit Protective Devices	Existing circuit breaker used - inspected as part of this Minor Change.	Section 4.8 of accomplishment instructions.
23.1357 (c)	Resettable circuit protective device must be designed so that a manual operation is required to restore service after tripping; and if an overload or circuit fault exists, the device must open the circuit regardless of the position of the operating control	The existing circuit protection will be inspected as per Section 4.8 to ensure CS 23.1357 (c) is met.	Section 4.8 of accomplishment instructions.
23.1359	Fire and Flamibility	TY91/92 is tested and meets requirements of DO160F Section 26.0	DO160F
23.1359 (c)	Fire and Flamibility – Insulation on electrical wire and cable.	The electrical wire used has been specified as Aviation Grade. Any existing wire to be reused must be inspected to meet CS 23.1359 (c) also, as per Section 4.9.	TY91/92 Installation Manual.
23.1365	Electrical Cables and Equipment	TY91/92 Installation Manual recommends correct cable types and capacities in accordance with this section.	TY91/92 Installation Manual.
23.1431(a)	Environmental conditions must be considered.	Section 3.4.2, review of environmental testing. This review was found to be acceptable without further conditions.	TY91 DDP. TY92 DDP.

23.1431(b)	Not adversely affect simultaneous operation of other radio or electronic systems or units.	EMI tests carried out post-installation.	Section 5.4, Post installation checks
23.1529	Instructions for Continued Airworthiness	Other than for periodic functional checks required by the maintenance program, the TY91/TY92 VHF transceiver has been designed and manufactured to allow “on condition maintenance”. This means that there are no periodic service requirements necessary to maintain continued airworthiness, and no maintenance is required until the equipment does not properly perform its intended function.	Section 3.3 Continued Airworthiness Instructions. Appendix 1.
CAP747, GR6	Battery duration not less than 30 minutes	New equipment replaces a typical receive load of 0.27 – 1.0A with a load of 0.2A. New equipment replaces a typical transmit load of 2.0 – 6.0A with a load of 2.0A. (2.5A for TY92) Battery endurance is maintained or increased as a result.	TY91/TY92 Installation Manual.
CAP747, GR18	Where more than one radio system is installed, no likely single failure (e.g. a fuse or a relay) will result in the loss of all radio systems.	On dual radio installations the power will be supplied via individual circuit breakers for each radio.	Section 5.2, Wiring diagrams Section 4.8, protective devices

7. CS-ACNS Compliance Table

ATY91/92 VHF Radio installation carried out in accordance with this Minor Change will meet the requirements of CS.ACNS.B.VCS – Voice Channel Spacing. The following table demonstrates compliance against CS.ACNS.B.VCS.

CS-ACNS Section 2 Ref	Part	Compliant	Means of Compliance	Reference
GENERAL				
CS ACNS.B.VCS.001 Applicability		YES	The TY91 and TY92 are VHF Radios that operate in the band 117.975 to 137 MHz and is certified to ETSO-2C169a	TY91/TY92 Install Manual
SYSTEM FUNCTIONAL REQUIREMENTS				
CS ACNS.B.VCS.010 Voice Communication Systems	(a)	YES	1. The TY91 and TY92 hold ETSO-2C169a 2. The TY91 and TY92 are both capable of 8.33kHz and 25kHz channel spacing	TY91/TY92 Install Manual
	(b)	YES	The TY9x VHF radio system is an ED-23C compliant class C (25 kHz offset carrier)	TY91/92 DDP
SYSTEM PERFORMANCE REQUIREMENTS				
CS ACNS.B.VCS.020 Performance Requirements	(a) – (d)	YES	The TY91 and TY92 have been designed to meet the performance specifications of ED-23C and holds EASA certification to ETSO-C169a. From these certifications levels it can be assumed that the Ty91 and Ty92 meet the relevant sections of ICAO Annex10, Volume III, Part 2.	TY91/TY92 Install Manual
CS ACNS.B.VCS.025 Integrity		YES	A system safety analysis of the TY91 and TY92 has been carried out and the system integrity is commensurate with a major failure condition. DEV/TY92/005 applies to the TY92 family of radio's which includes the TY91 and TY92. This is stated in section 2.1 of DEV/TY92/005.	DEV/TY92/005

CS-ACNS Section 2 Ref	Part	Compliant	Means of Compliance	Reference
CS ACNS.D.VCS.030 Continuity		YES	The TY91/TY92 system installation continuity is designed to an allowable qualitative probability of 'remote' The TY91/92 is (E)TSO certified and the whole system is powered from the main aircraft power supply bus. Any additional wiring which may be required has been specified in section 4 and uses simple/direct wiring interfaces consistent with the existing aircraft wiring.	Section 4
INSTALLATION REQUIREMENTS				
CS ACNS.B.VCS.040 Flight Deck Interface	(a)	YES	The TC90 control head has a dual concentric knob which allows the operator to select the desired communications channel	TY91/TY92 Install Manual
	(b)	YES	The TC90 control head has an LCD display which will show the selected communications channel on the top half of the screen (primary frequency). Displayed below is the secondary frequency.	TY91/TY92 Install Manual
	(c)	YES	The TY91/92 will immediately display a fault message on the TC90 display if a non-operational or system failure occurs.	TY91/TY92 Install Manual

8. Appendix 1

TY91/TY92 Instructions for Continued Airworthiness
<p>1. Description</p> <p>This document describes the necessary maintenance requirements and instructions necessary to ensure the continued airworthiness of the aircraft following the embodiment of the Minor Change to add the TY91/TY92 VHF system.</p>
<p>2. Operation</p> <p>Operating instructions for the Trig Avionics TY91/TY92 VHF transceiver are detailed in the following documents;</p> <ul style="list-style-type: none">• 00840-00 Operating Manual• 00839-00 Installation Manual section Normal Operation
<p>3. Servicing</p> <p>There are no periodic service requirements necessary to maintain continued airworthiness of the TY91/TY92 Transceiver.</p>
<p>4. Maintenance Instructions</p> <p>Please refer to your national approved aircraft maintenance program for any periodic functional checks that must be carried out on the transceiver system.</p> <p>Other than for periodic functional checks required by the regulations, there are no periodic maintenance requirements necessary to maintain continued airworthiness.</p> <p>If a service is required, a complete performance test as detailed in section 5.5.3 of these instructions should be accomplished following any maintenance action.</p>
<p>5. Install and Removal Instructions</p> <p>Please refer to Trig Avionics TY91/TY92 Installation Manual;</p> <ul style="list-style-type: none">• 00839-00 Installation Manual; section: Installation
<p>6. Required Tools and Test Equipment</p> <ul style="list-style-type: none">• Aviation headset
<p>7. Airworthiness Limitations</p> <p>There are no Airworthiness Limitations applicable to the Trig Avionics Minor Change to install a TY91/TY92 VHF transceiver.</p>